



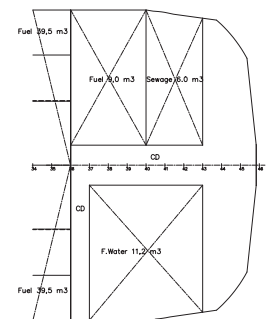
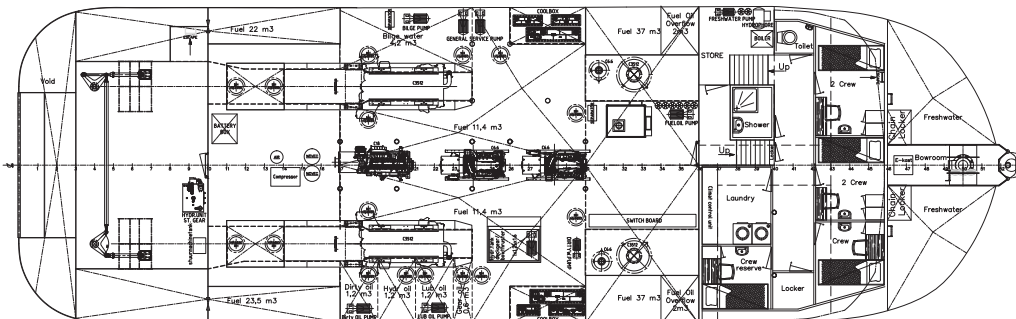
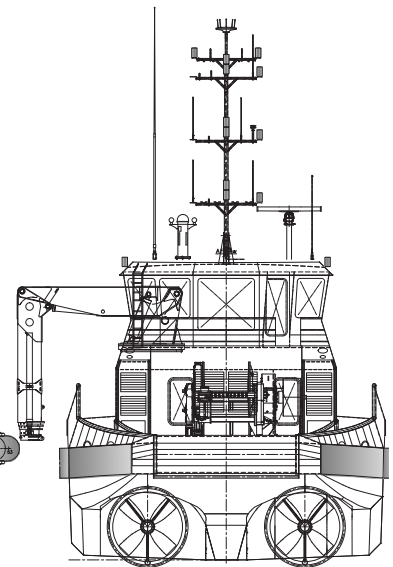
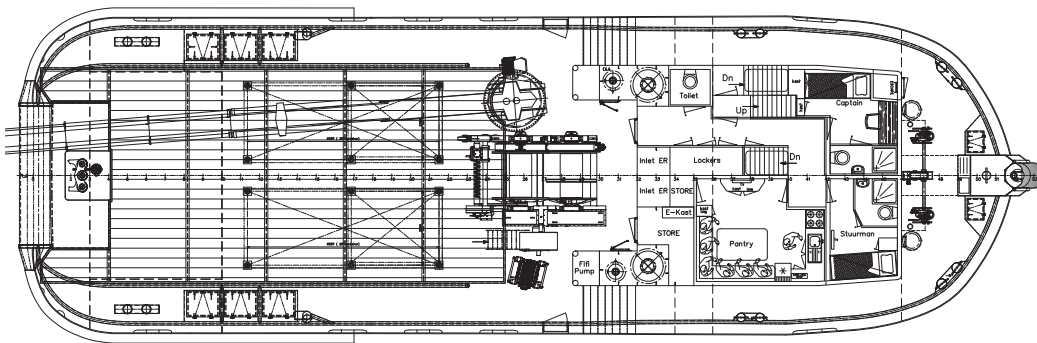
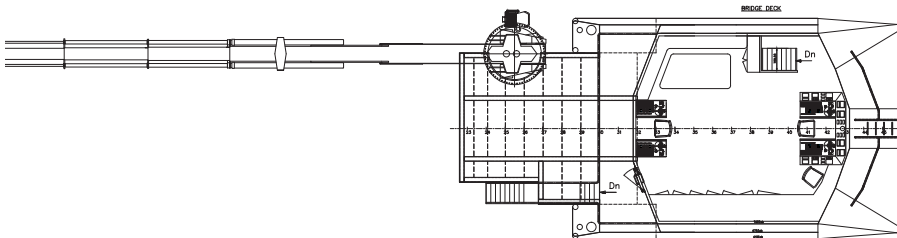
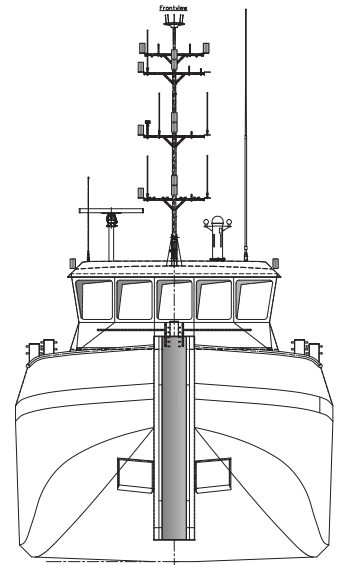
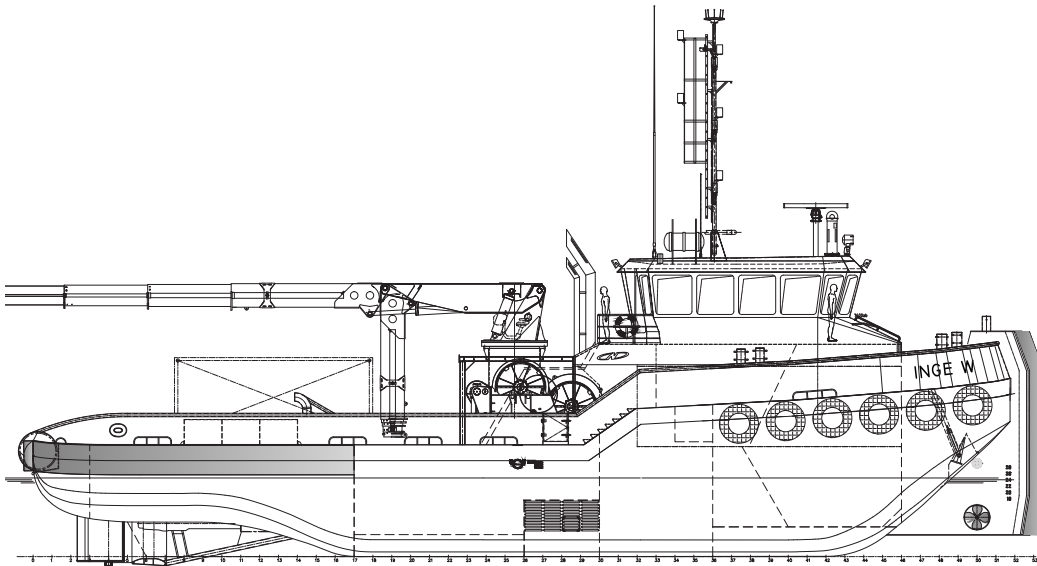
EuroTug 3210 | Tugboat



Euro Tugs have proven their versatility and robustness at sea, over the years. The maximum free deck space for this type of multipurpose tugboat offers many possibilities for all kinds of operations including towing, anchor handling, dredging support and wind farm support.



CLASSIFICATION	Bureau Veritas I \boxtimes HULL • MACH • AUT-UMS, TUG, Unrestricted Navigation, GMDSS Area A3	TANKS	
DIMENSIONS		FUEL OIL	155 m ³
LENGTH O.A.	32,20 meters	FRESH WATER	55 m ³
BREADTH MLD.	10,00 meters	DECK LAY-OUT	
DEPTH AT SIDE	3,55 meters	ANCHOR HANDLING / TOWING WINCH	Waterfall winch type
DRAFT	2,60 meters	ANCHOR HANDLING	120 ton holding force
GROSS TONNAGE	327	PULLING FORCE	100 ton at 1 st layer
NET TONNAGE	98	HAULING SPEED	6,5m/min – 18m/min
PERFORMANCES		TOWING WINCH	125 ton holding force
SPEED	10 knots	PULLING FORCE	64 ton at 1st layer
BOLLARD PULL	48 tons	HAULING SPEED	10m/min – 27m/min
PROPULSION		DECK CRANE	Heila HLRM 200-4S
MAIN ENGINES	2x Caterpillar 3512	DECK	Azobé deck covering
TOTAL POWER	2850 kW at 1600 RPM	TOWING HOOK	Mampaey 55 tons SWL Disc
PROPELLERS	2200 mm in nozzle	FENDERING	Tire- and optional D-fendering on the side, pushbow fendering fore ship, D-fendering aft ship
AUXILIARIES		ACCOMMODATION	
GENERATOR SETS	2x Caterpillar C6.6	FACILITIES	Airconditioned accommodation for up to 10 persons
TOTAL E-POWER	286 kW	OPTIONS	
HYDRAULIC POWER PACK	533 kW (diesel driven)	TUGGER WINCH	15 ton at 1st layer
BOW THRUSTER	280 kW tunnel (hydraulic)	TOWING PINS	Aft ship set + chain stopper
		ICE CLASS	Maximum up to ice class 1B



EuroTug 3210 | Tugboat

For more information, please contact us on:
 T +31 (0)184 621 423 E info@neptunemarine.com W www.neptunemarine.com
 Version: V.01

