



Modular EuroCarrier 2110 | Workboat

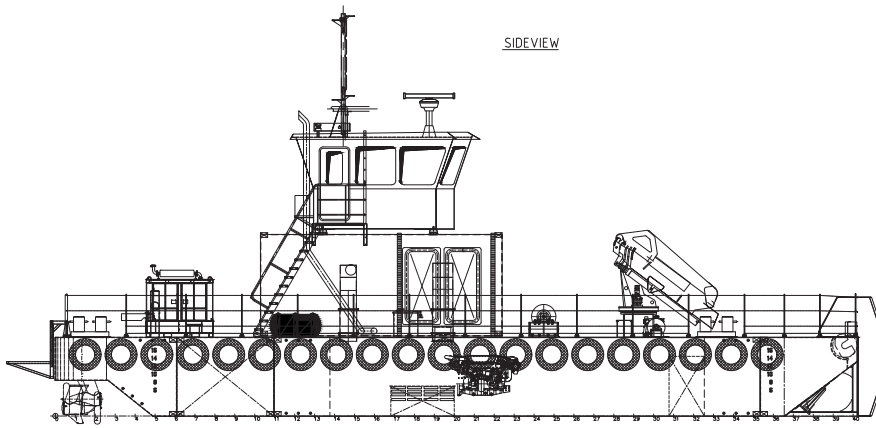


The robust, efficient and flexible design of the Modular EuroCarrier makes it the right vessel for various activities, including anchor handling, pushing and survey. The modular EuroCarrier is easy to transport to any location.

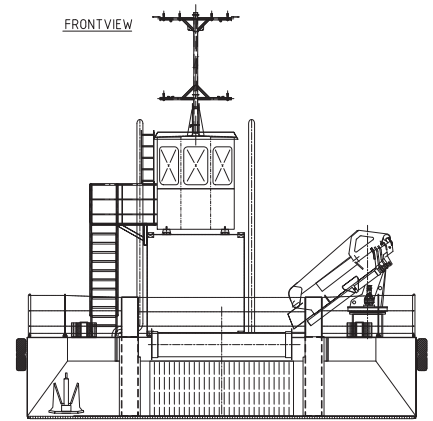


GENERAL	
TYPE VESSEL	Modular EuroCarrier Multi purpose vessel
BASIC FUNCTIONS	Pushing, mooring, anchor handling, towing and survey
CLASSIFICATIONS	Bureau Veritas I + HULL • MACH Special Service / Workboat Coastal area
DIMENSIONS	
LENGTH O.A.	20,76 meters
BREADTH MLD.	9,76 meters
DEPTH AT SIDE	1,98 meters
DRAFT	0,80 meters
GROSS TONNAGE	101
PERFORMANCE	
SPEED	6,3 knots (approx.)
BOLLARD PULL	4,6 tons
PROPULSION	
MAIN ENGINES	2x SCANIA DI 13 71 M
TOTAL POWER	588 kW at 1800 RPM
AUXILIARIES	
GENERATOR SET	Hatz 3M41
GENERATOR POWER	22 kVa
BOWTHRUSTER	360 Shallow Draft (280 kW elec)

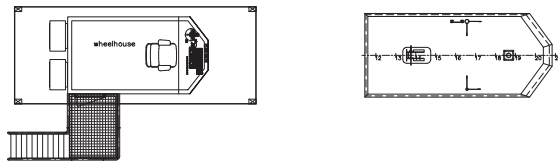
TANKS	
FUEL OIL	2 x 2.7 m3
HYDRAULIC OIL	2 x 1 m3
FRESH WATER	1 x 0.1 m3
SEWAGE WATER	1 x 0.15 m3
DECK LAY-OUT	
ANCHOR / LENGTH CHAIN	1 x 195 kg / 175 meters
ANCHOR HANDLING WINCH	2 x 25 tons
DECK CRANE	Hella HLRM 45/35
DECK PROTECTION	Azobé deck covering
TOWING HOOK	SWL 15 tons
A-FRAME	15 tons
FENDERING	Wood pushbow fendering fore ship
ACCOMMODATION	
FACILITIES	Wheelhouse and superstructure with restroom, pantry and store.
CLIMATE CONTROL	Air-conditioned wheelhouse, pantry and restroom
SAFETY EQUIPMENT	Life saving equipment for 6 persons
RADIO & NAVIGATION	
GMDSS SEA AREA A2	2x GPS, 2x AIS transponder, Navtex, AIS display, Echosounder, VHF DSC, radar and MF/HF TU transmitter.
4 POINT MOORING	



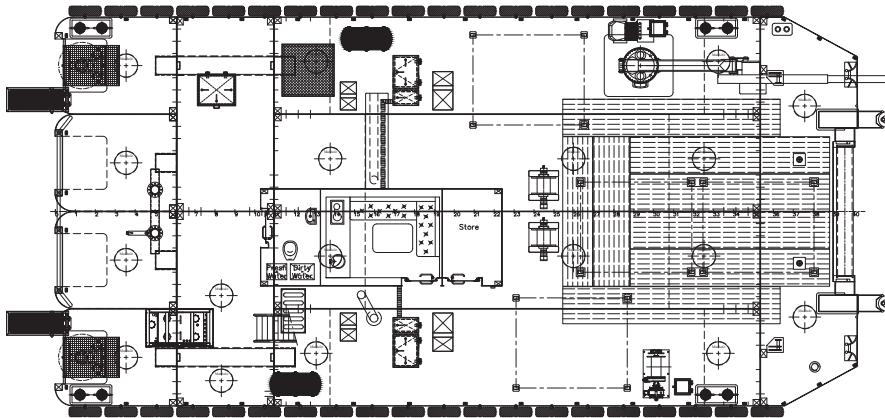
SIDEVIEW



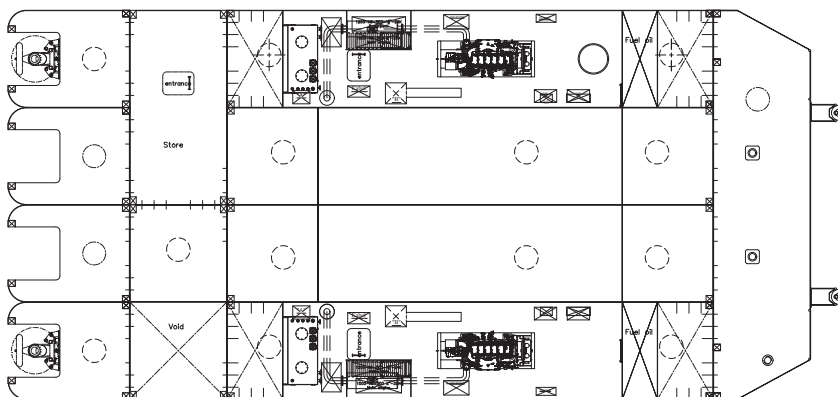
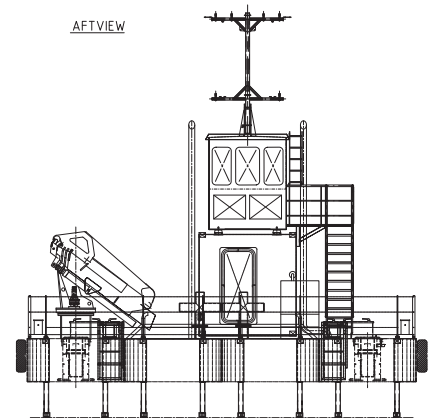
FRONTVIEW



TOPVIEW



AFTVIEW



Modular EuroCarrier 210 | Workboat

For more information, please contact us on:

T +31 (0)184 621 423 E info@neptunemarine.com W www.neptunemarine.com

Version: V.01

